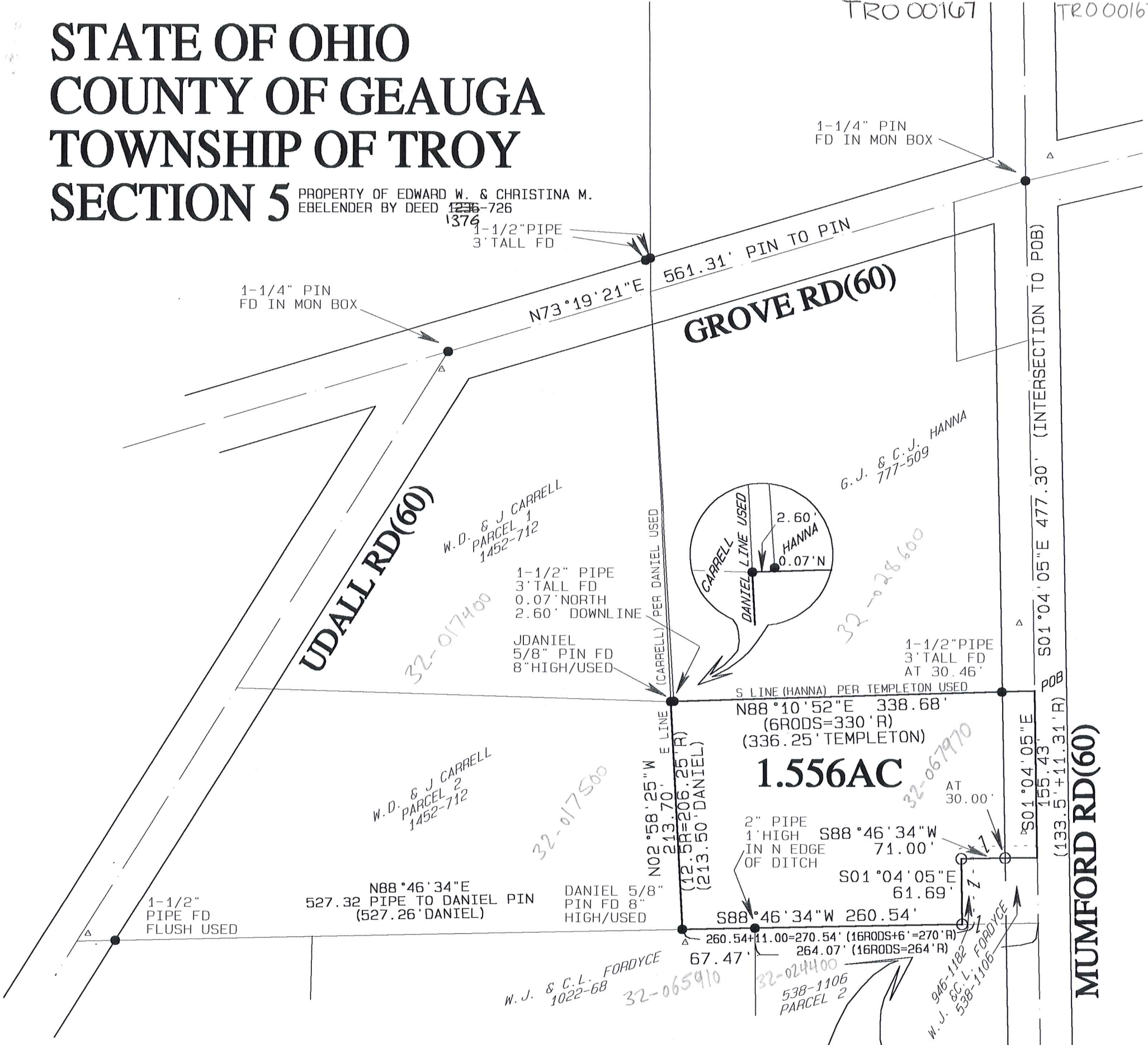


STATE OF OHIO COUNTY OF GEAUGA TOWNSHIP OF TROY SECTION 5

PROPERTY OF EDWARD W. & CHRISTINA M. EBELENDER BY DEED 1376-726



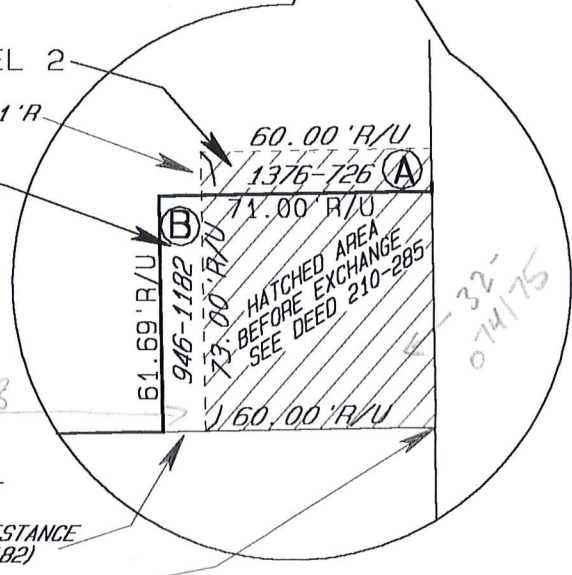
00 100
1" = 100'

PROJ TROY05FSC1

- IRON PIN/PIPE FD AS DESCRIBED
- ⊙ 5/8" IRON REROD (PIN) W/ID CAP SET
- △ TRAVERSE CONTROL POINT

A-EBELENDER PROP. SEE DEED 1376-726 PARCEL 2

B-FORDYCE PROPERTY SEE DEED 946-1182



"ALONG THE COMMON LINE BETWEEN THE FORDYCE AND TRENDLE LANDS A DISTANCE OF 11.00 FEET" (946-1182)

"... AT THE SOUTHEAST CORNER OF LAND CONVEYED TO MIKE TOMAS SUCHESKI ... " (210-285)

I HEREBY CERTIFY THAT THIS PLAT IS AN ACCURATE REPRESENTATION OF AN ACTUAL SURVEY PERFORMED BY ME IN JUNE, 2203 AND IS AN OPINION BASED ON A COMPARISON OF AVAILABLE INFORMATION AND THE PHYSICAL POSITION OF EVIDENCE LOCATED IN ACCORDANCE WITH OHIO ADMINISTRATIVE CODE 4733-37. ALL MONUMENTS (PINS/PIPE) ARE MADE OF PARAMAGNETIC MATERIAL. ALL REROD (PINS) SET ARE 5/8 INCH DIAMETER, 30 INCHES LONG, MADE OF PARAMAGNETIC MATERIAL AND I.D. CAPPED "JN FRANCIS S6916 3991281". NORTH IS GRID BASED ON OHIO STATE PLANE SYSTEM 3401 NORTH ZONE.

STATE OF OHIO
JOHN N. FRANCIS 6916
REGISTERED SURVEYOR
6/25/2003
REV 6/25/2003

JOHN N. FRANCIS PROFESSIONAL SURVEYOR S6916
157 PEW CT. N.E. WARREN, OHIO 44481 330-399-1281

SURVEY PLAT & LEGAL DESCRIPTION APPROVED PER R.C. 315.251

R.S. 6/26/03
OFFICE OF THE GEAUGA COUNTY ENGINEER

TRO-00167

TRO 00167

Ebelender
picked up 6/26/03
32-067970
V. 1658-
Pg. 141

SITUATED in the State of Ohio, County of Geauga, Township of Troy, Section 5 and being property owned by Edward H. and Christina M. Ebelender(1376-726)

BEGINNING at a 1-1/4 inch iron pin found in a monument box at the intersection of the centerlines of Grove Road(60') and Mumford Road(60');

THENCE South 01°04'05" East, and along the centerline of Mumford Road, a distance of 477.30 feet to the **TRUE PLACE OF BEGINNING** for the parcel being described;

THENCE South 01°04'05" East, and along the centerline of Mumford Road, a distance of 155.43 feet to a point at the northeast corner of residue of property owned by W. J. & C. L. Fordyce (538-1106) and the southeast corner of E. H. and C.M. Ebelender(1376-726/parcel 2);

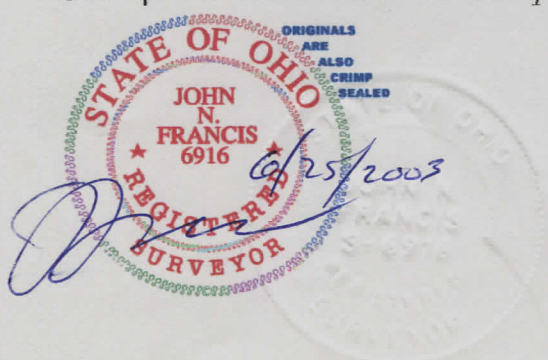
THENCE South 88°46'34" West, along the north line of Fordyce and the south line of said Ebelender(parcel 2) and passing through a 5/8 inch iron rered with I.D. Cap set at 30.00 feet, a distance of 71.00 feet to a 5/8 inch iron rered with I.D. Cap set at the northwest corner of property owned by W. J. & C. L. Fordyce(946-1182);

THENCE South 01°04'05" East, and along the west line of said Fordyce(946-1182) a distance of 61.69 feet to a 5/8 inch iron rered with I.D. Cap set at the southwest corner of said Fordyce(946-1182) and on the north line of said Fordyce(538-1106/parcel 2);

THENCE South 88°46'34" West, along the north line of said Fordyce(538-1106 & 1022-68) and passing through a 2" iron pipe found 12 inches high/on the north side of a ditch at 193.07'(260.54'-67.47') a distance of 260.54 feet to a J.W. Daniel capped 5/8 inch iron pin found 8 inches high/on the north side of a ditch at the southeast corner of W. D. & J. Carrell (1452-712-parcel 2);

THENCE North 02°58'25" West, and along the east line of said Carrell(parcel 2) a distance of 213.70 feet to a J.W. Daniel capped 5/8 inch iron pin found 8 inches high at the northeast corner of said Carrell(parcel 2), common with the southeast corner of said Carrell(parcel 1) and on the west line of G. J. and C. J. Hanna(777-509)/per Jerry Daniel's survey of Carrell(Nov. 1995), said point also being the northwest corner of Ebelender;

THENCE North 88°10'52" East, passing through a 1-1/2 inch, 3 feet tall iron pipe found 0.07 feet north and at 2.60 feet, at the southwest corner of G. J. & C. J. Hanna(777-509)/per Templeton's survey of Hanna(1987?) and passing through a 1-1/2 inch 3 feet tall iron pipe found 30.46 feet from the centerline, a distance of 338.68 feet to the **TRUE PLACE OF BEGINNING**, containing **1.556 acres**, more or less as surveyed by John N. Francis, Professional Surveyor S6916 in June 2003. Bearings are grid, based on Ohio State plane coordinates #3401. *project #TROY05FSC1 ((rev6/25/2003)*



Good closure

SURVEY PLAT & LEGAL DESCRIPTION
APPROVED PER R.C. 315.251
R.S. 6/26/03
OFFICE OF THE
GEAUGA COUNTY ENGINEER